

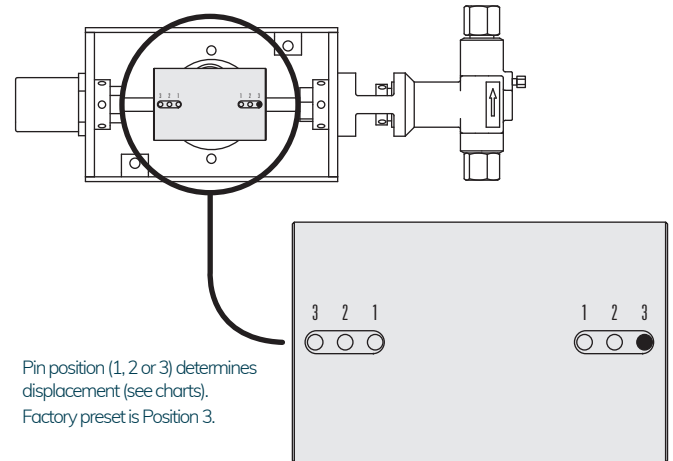
Wellmark EIP AC-Powered

Electric chemical injection pump with DigiUltra ADC control

Operation

The pump head can be adjusted for one of three different displacement settings. Control of fluid volume can be achieved by utilizing an infinite number of combinations of RUN and OFF times along with three different displacement settings. Suggested settings for common volumes are listed on charts included with each pump.

As reviewed against the “Pump Displacement & Timer Settings” charts, (refer to Installation, Operation & Maintenance Instructions for Solar-Powered Chemical Injection Pump) the pump’s required rate should optimally fall within the middle of the pumps capacity range. This gives room for adjustment if the service criteria changes.



Displacement volumes by pin placement

Displacement Volumes	Plunger Pin Position								
	1/4" Plunger			3/8" Plunger			1/2" Plunger		
	1	2	3	1	2	3	1	2	3
Displacement per stroke (oz.)	0.0170	0.0238	0.0306	0.0382	0.0535	0.0688	0.0679	0.0951	0.1223
Displacement per second (large motor)	0.0181	0.0254	0.0326	0.0407	0.0570	0.0733	0.0724	0.1014	0.1304

DigiMax ADC control/timer



Program Functions

Auto mode

After a one-time setup, this feature allows the operator to simply enter the number of quarts desired per day - No need to consult RUN TIME and OFF TIME charts. The DigiMax ADC is programmed to behassle-free. Of course, Manual Mode is available allowing the user to manually set the control if desired.

In Auto Mode Digital Display continuously indicates settings:

- Plunger size and pin setting
- Temp. Settings (ON/OFF, temp. threshold setting and current)
- Pump Rate (Quarts per Day)

In Manual Mode Digital Display continuously indicates settings:

- RUN tme
- OFF time
- Cycle count
- Temp. settings (ON/OFF, temp. threshold setting and current)

Pump override

Runs pump continuously, overriding the program until the button is pressed again or until the pump runs for 5 minutes.

Temperature Sensor

The Control Timer is equipped with a Temperature Sensor feature. When activated this feature turns the pump off until the temperature drops to a set temperature threshold or lower, regardless of program settings. This allows the user to minimize the waste of methanol by only pumping during conditions approaching freezing temperatures.

Wellmark EIP AC-Powered

Electric chemical injection pump with DigiUltra ADC control

Pump specifications

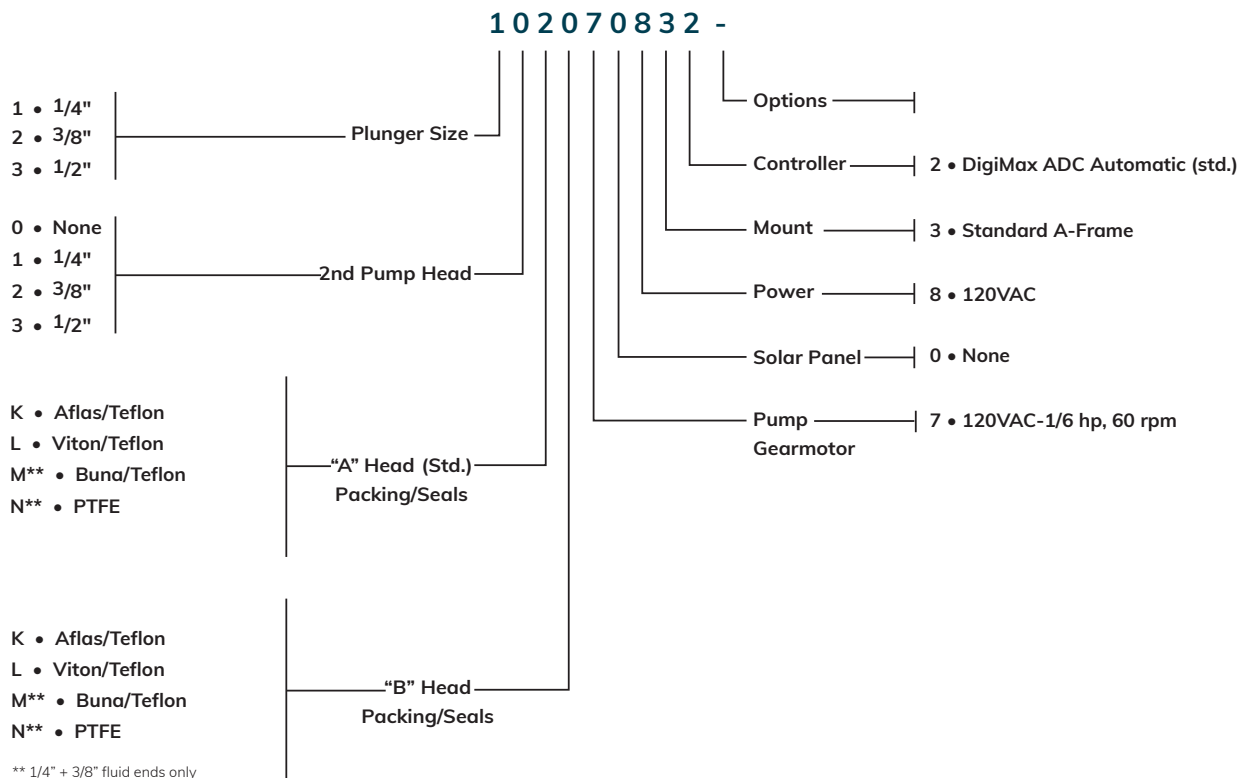
Specification	Plunger Pin Position								
	1/4" Plunger			3/8" Plunger			1/2" Plunger		
	1	2	3	1	2	3	1	2	3
Piston Area (sq. in.)	0.0491			0.1104			0.1963		
Stroke (in.)	0.624	0.874	1.124	0.624	0.874	1.124	0.624	0.874	1.124
Displacement per Stroke (cu. in.)	0.0306	0.0429	0.0562	0.0689	0.0965	0.1241	0.1225	0.1716	0.2206
Displacement per Stroke (oz.)	0.0170	0.0238	0.0306	0.0382	0.0535	0.0688	0.0679	0.0951	0.1223
Displacement per Second (oz.)	0.0170	0.0238	0.0306	0.0382	0.0535	0.0688	0.0679	0.0951	0.1223

Maximum discharge pressures

Motor	Plunger Pin Position		
	1/4" Plunger	3/8" Plunger	1/2" Plunger
Large Motor - 1/6 HP AC	5000 psi	2500 psi	1200 psi

Determining the model number

Example given: Standard 1148303 - AC Dual head pump with 3/8" plunger, Aflas packing, V6 HP 120v AC generated DigiMax controller.



Contact us for more information about our products and services.

Midcon

Lauren Kelley
3100 S Ann Arbor Ave
Oklahoma City, OK 73179
M: +1 405.641.3476
E: lauren.kelley@championx.com

New Mexico

911 S Texaco Road
Hobbs, NM 88240
wellmarkco.com

Pecos

John Parent
2260-B Ocotillo Dr
Pecos, TX 79772
M: +1 432.448.4139
E: john.parent@championx.com

South Texas

206 South Sunset Strip
Kenedy, TX 78119
O: +1 830.583.8112
wellmarkco.com

West Texas

1460 Windway Street
Odessa, TX 79763
wellmarkco.com

West Virginia

Brandon Frye
195 Herald Drive
Fairmont, WV 26554
M: +1 681.209.2687
E: brandon.frye@championx.com



SCAN ME
for mobile chemical
injection pump
support



Chemical Injection Products

11122 West Little York Road
Houston, TX 77041
T: +1 877-667-6418
wellmarkco.com



The safety of our employees, customers, shareholders, and communities is vitally important. From the way we operate, to the products we develop, to how we partner with customers, our goal is zero: zero accidents, zero incidents, and zero environmental releases.

Goal Zero is an ongoing initiative at Norriseal-Wellmark designed to reinforce our safety culture, based on the fundamental belief that all accidents are preventable.

This document is provided on an "as is" basis without warranties of any kind. Wellmark DISCLAIMS ALL WARRANTIES, EXPRESS OR IMPLIED, INCLUDING, BUT NOT LIMITED TO, IMPLIED WARRANTIES OF MERCHANTABILITY, FITNESS FOR A PARTICULAR PURPOSE OR SUITABILITY FOR ANY PURPOSE, TITLE, AND NON-INFRINGEMENT. While reasonable care has been taken in the preparation of this document, Wellmark does not represent or warrant that the contents of this document are accurate, complete, reliable, current or error-free.

©2023 Wellmark Chemical Injection Products. All Rights Reserved. 0523023_Wellmark EIPAC.