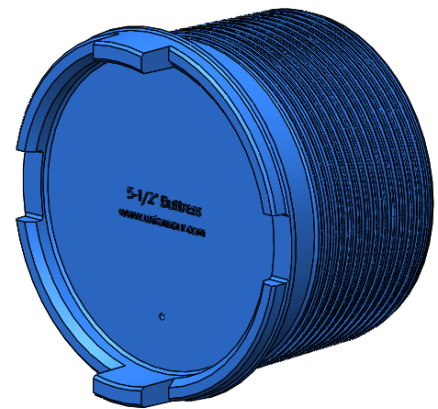
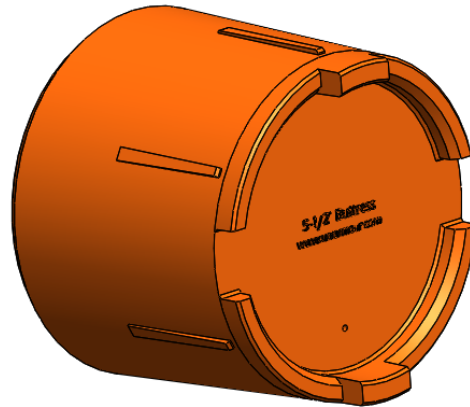


UNI-TRQ

Standard-Efficient
Protector

BENEFITS

- ✓ Direct-Hit Torque Faces
- ✓ Enhanced Reliability
- ✓ Increase Safety



**LOWER COST.
HIGHLY RECYCLABLE.
HIGH-DENSITY POLYETHYLENE.**

Uniarmour has re-engineered the conventional casing protector to enhance efficiency, reliability and reduce cost. Our protectors fit butress and butress-compatible connections. All available at a global service.

1. Extreme Temperatures
2. High Impact
3. Direct-Hit Torque Faces
5. Enhances Applied Torque
6. Decreases Chance of Injury
7. HDPE Construction

QUOTE REQUEST



+1 (832) 290-8765



info@uniarmour.com



www.uniarmour.com



PO Box 27244
Houston, Texas 77227

IN-HOUSE DEMOS AVAILABLE