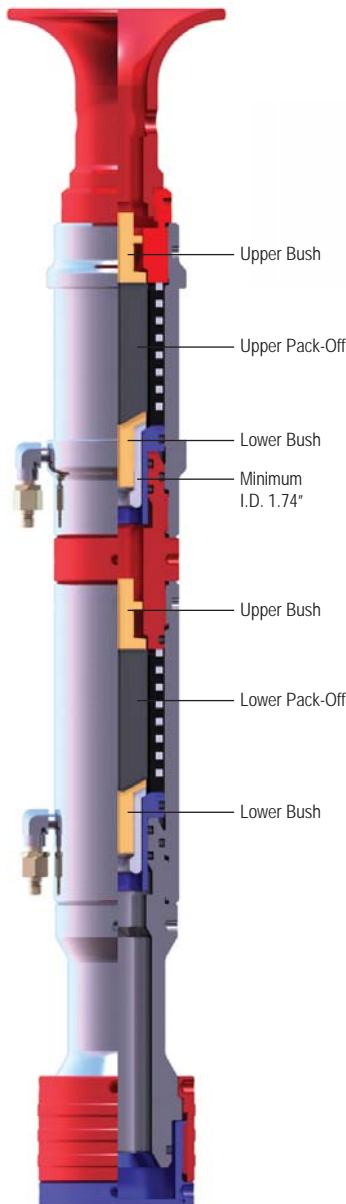


Enviro™ Dual “Compact” Pack-Off

The Elmar Enviro™ Dual Hydraulic “Compact” Pack-Off is designed to seal against moving cable under pressure.



Note: 1. Other quick union sizes are available upon request 2. Wire size to be specified when ordering.
3. Seal Kit does not include line sized parts - order separately.

Dimensions & Weights

(Height) 104 cm, 41 in, (Weight) 45 kg, 99 lbs, Clean I.D. 4.42 cm, 1.74 in

Positioned above the tubing/casing, the Enviro™ Dual “Compact” Pack-Off is built around the wire before the wireline tool is lowered into the well.

The Enviro™ Dual “Compact” Pack-Off works by squeezing each of the two independent rubber elements which are wrapped around the wire. Each element seals on the cable outer armour against well pressure, as well as wiping the wire free of fluid. The sealing element will seal on static cable, although the ideal cable to seal on is a seasoned cable.

The Enviro™ Dual “Compact” Pack-Off is designed so that the rubber element in direct contact with the wire is easily replaced.

The Enviro™ Dual “Compact” Pack-Off is rated to 5,000 psi working pressure (static wireline) and H₂S service and is available with full material traceability and Third Party Certification.

(2) 0-3000 psi hand pumps and hoses are required to operate the Enviro™ Dual “Compact” Pack-Off.

PART NUMBERS

Part Number	Working Pressure	Srv.	Quick Union Connection	Seal Kit
L-970338	5,000 psi	H ₂ S	4 3/4"-4thd (3.750") Bowen Pin & Collar	L-970338K
L-973711	5,000 psi	H ₂ S	5"-4thd (3.500") Otis Pin & Collar	L-973711K
L-973663	5,000 psi	H ₂ S	5 3/4"-4thd (4.000") Otis Pin & Collar	L-973663K
L-9701004884	5,000 psi	H ₂ S	6 5/16"-4thd (4.375") Bowen Pin & Collar	L-9701004884K

SPARE PARTS, QUANTITY (2) EACH ITEM

Wire Size	Upper Bush	Packing	Lower Bush
3/16"	L-831250	L-831140	L-831260
7/32"	L-831070	L-831150	L-831080
1/4"	L-830058	L-831150	L-830059
9/32"	L-831009	L-831130	L-831008
5/16"	L-831170	L-831130	L-831190
3/8"	L-831011	L-831005	L-831007
0.390"	L-830046	L-830045	L-830047
7/16"	L-830061	L-830056	L-830062
1/2"	L-831280	L-831270	L-831290
9/16"	L-831160	L-831120	L-831180

PRESSURE TEST ACCESSORIES

Part Number	Description
L-979575	Test Stump with 4 3/4"-4thd (3.750") Bowen Box
L-974823	Test Cap with 5"-4thd (3.500") Otis Box
L-978123	Test Stump with 5 3/4"-4thd (4.000") Otis Box
L-978826	Test Stump with 6 5/16"-4thd (4.375") Bowen Box
L-975102	Test Plug (dummy packing element)
L-690730	Hand Pump
L-691080	Twin Hose Assembly x 25ft long
L-690760	Twin Hose Assembly x 50ft long
L-975800	Test Cap with 5 1/2"-4x2thd (4.375") Bowen Box

Note: Additional sizes available on request.