

20.1.1.1 MONGOOSE PRO Rig Critical Spares

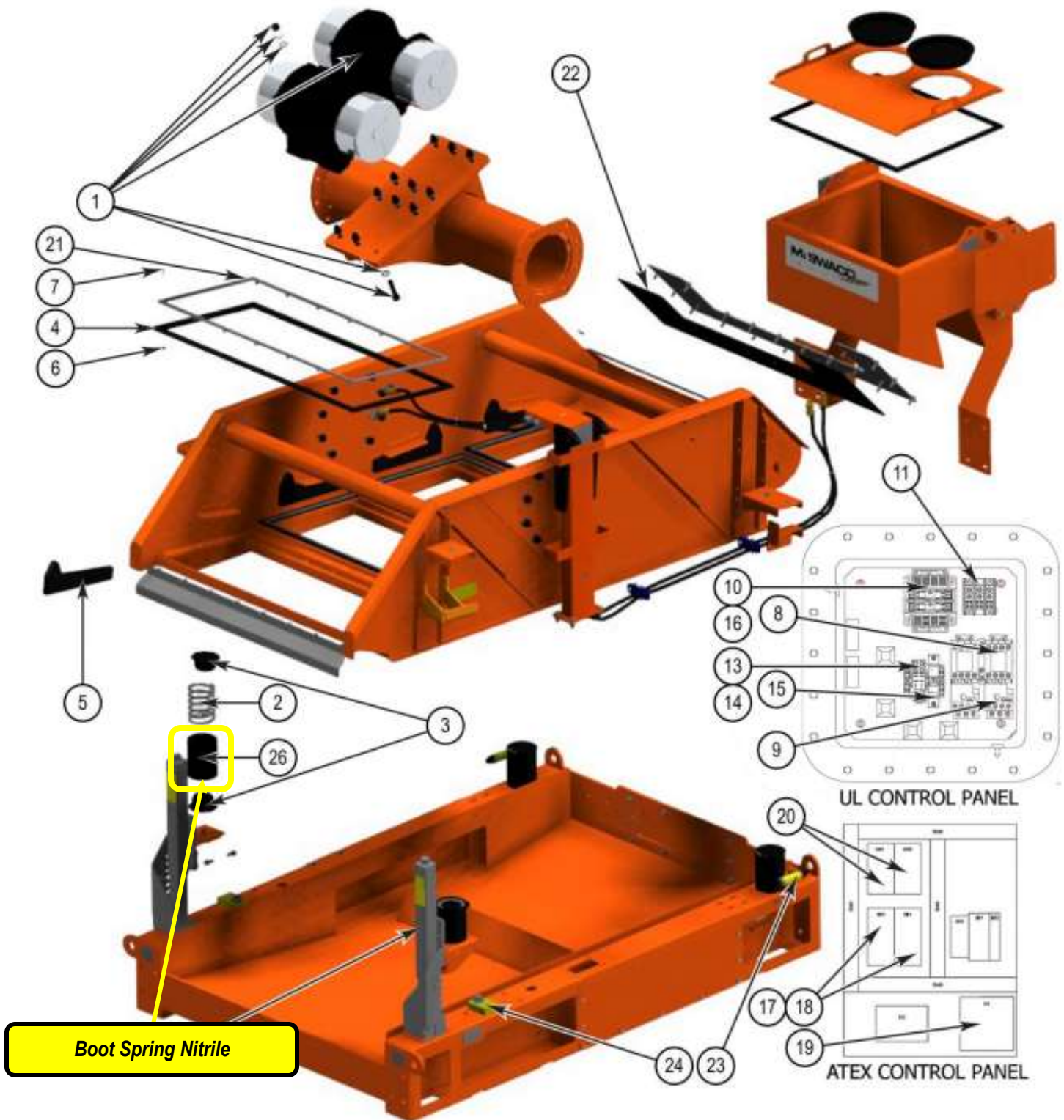


Figure 36. MONGOOSE PRO Shale Shaker Components Exploded View