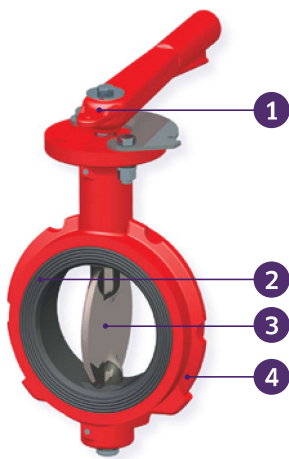


Weco® butterfly valves

Weco® butterfly valves offers dependable, economical flow control. These field-proven valves are available from stock in 2 through 24-inch sizes and can handle working pressures up to 175 psi. For pressure ratings from 176 psi up to 285 psi, consult factory. Wafer, notched, and lug-type body styles meet requirements for new or existing flowline systems. Using a variety of materials, valve bodies, discs, stems, and seats can be individually matched to specific operating conditions, including temperature range, type and concentration of fluid, and various flow conditions



1. Choice of operators, actuators

All Weco® butterfly valve models can be equipped with a wide range of operators and actuators.

2. Leak-proof installation

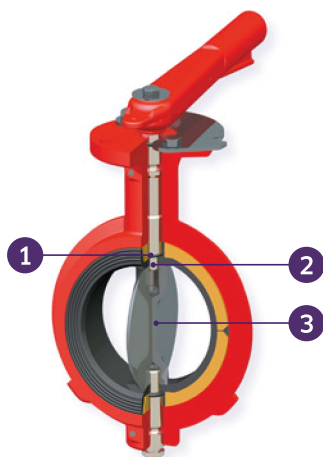
Ribbed seat face eliminates the need for flange gaskets and ensures leak-proof installation.

3. Outstanding flow efficiency

Streamlined disc design minimizes turbulence and pressure drop for greater flow efficiency.

4. Fast, simple field repair

If a valve should need repair, it can be completely reconditioned in the field using interchangeable stock parts.



1. Triple seal design

An O-ring, undersized stem holes in the seat, and corresponding flats on seat and disc hubs provide three completely independent seals. This unique feature isolates both the upper and lower stems from line fluid, allowing use of standard stem material.

2. No in-line pins, screws or bolts

Hex drive provides positive disc movement without in-line pins, screws, or bolts.

3. Self-centering disc

Dual stem with upper and lower tangential pins allows a self-centering disc. This design provides equal sealing pressure 360° around the disc, ensuring positive shut off and extending service life.

Body styles

Model 12

Short neck, wafer body; 175 psi cold working pressure, 2 to 12-inch sizes; 150 psi cold working pressure, 14 and 16-inch sizes



Recommended service

General on/off and throttling services from 1mm Hg absolute vacuum to full working pressure

- ▶ Valves are self-centering and mount between 125 or 150 lb ANSI flanges

Model 12N

Short neck, notched body; 175 psi cold working pressure, 2 to 6-inch sizes



Recommended service

General on/off and throttling services from 1mm Hg absolute vacuum to full working pressure

- ▶ Valves are notched to fit between lightweight flanges

Model 22

Long neck, wafer body; 175 psi cold working pressure, 2 to 12-inch sizes



Recommended service

General on/off and throttling services from 1mm Hg absolute vacuum to full working pressure

- ▶ Valves are self-centering and mount between 125 or 150 lb ANSI flanges
- ▶ Long neck allows for pipe insulation

Model 22L

Long neck, lug body, 175 psi cold working pressure, 2 to 24-inch sizes



Recommended service

General on/off and throttling services from 1mm Hg absolute vacuum to full working pressure

- ▶ Tapped lugs allow independent upstream or downstream bolting to 125 or 150 lb ANSI flanges
- ▶ Long neck allows for pipe insulation

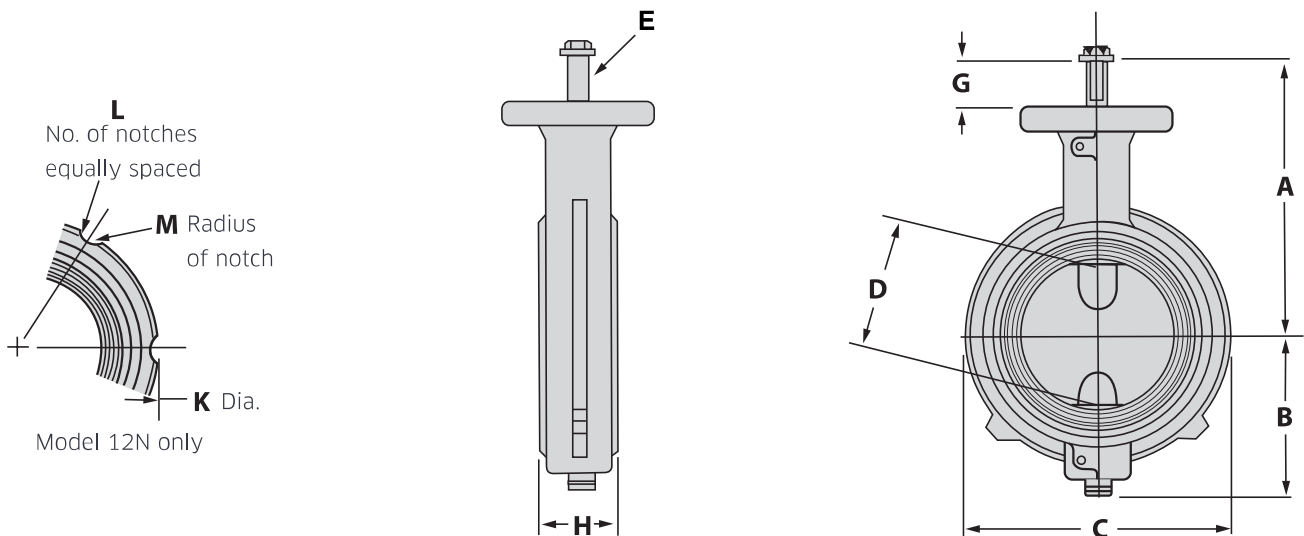
➤ See specifications tables (pgs. 17-31) for sizes, dimensions, weights, materials, and part numbers.

Weco® butterfly valve specifications

Model 12

Sizes	2"	2 ½"	3"	4"	6"	8"	10"	12"	14"	16"	
P/N	3227485	3227486	3227487	3245819	3227493	3232417	3227495	3227496	3255865	3255869	
P/N - LT											
Dimensions, in., mm	A	4 ³ / ₂ 126	5.91 150	5 ⁹ / ₂ 150	7 ⁷ / ₂ 185	7 ²⁵ / ₂ 198	9 ⁹ / ₂ 239	10 ² / ₂ 271	12 ⁵ / ₂ 309	14 ³ / ₂ 380	17 ⁷ / ₁₆ 443
	B	3 76.2	3 ¹ / ₂ 84.9	3 ⁶ / ₈ 92.1	4 ¹ / ₄ 108	5 ⁵ / ₁₆ 135	7 178	8 ¹ / ₄ 210	9 ¹ / ₄ 248	10 ³ / ₈ 264	11 ¹ / ₁₆ 303
	C	4 ¹ / ₈ 105	4 ⁷ / ₈ 124	5 ³ / ₈ 137	6 ¹ / ₈ 175	8 ¹ / ₄ 222	11 279	13 ³ / ₈ 340	16 ¹ / ₈ 410	17 ¹ / ₁₆ 449	20 ¹ / ₈ 511
	D	2 ¹ / ₁₆ 52.4	2 ¹ / ₂ 63.5	3 ¹ / ₁₆ 77.8	4 ¹ / ₁₆ 103	6 ¹ / ₁₆ 154	8 ¹ / ₁₆ 205	10 254	12 305	13 ¹ / ₄ 337	15 ¹ / ₄ 387
	E	¾ Sq. 15.9	¾ Sq. 15.9	¾ Sq. 15.9	¾ Sq. 15.9	¾ Sq. 15.9	¾ Sq. 22.2	¾ Sq. 22.2	1 ¹ / ₈ Sq. 28.6	1 ¹ / ₈ Sq. 28.6	2* 50.8
	F	4 102	4 102	4 102	4 102	4 102	6 152	6 152	6 152	6 152	8 203
	G	1 ¹ / ₂ 26.2	1 ¹ / ₂ 26.2	1 ¹ / ₂ 26.2	1 ¹ / ₂ 32.5	1 ¹ / ₂ 32.5	1 ¹ / ₂ 32.5	1 ¹ / ₂ 32.5	1 ¹ / ₂ 32.5	1 ¹ / ₂ 32.5	3 ³ / ₁₆ 81
	H	1 ¹ / ₈ 41	1 ¹ / ₄ 45	1 ¹ / ₄ 45	2 51	2 ¹ / ₈ 54	2 ¹ / ₂ 64	2 ¹ / ₂ 64	3 76	3 76	4 102
	I	7 ¹ / ₁₆ 11.1	7 ¹ / ₁₆ 11.1	7 ¹ / ₁₆ 11.1	7 ¹ / ₁₆ 11.1	7 ¹ / ₁₆ 11.1	7 ¹ / ₁₆ 14.3	7 ¹ / ₁₆ 14.3	7 ¹ / ₁₆ 14.3	7 ¹ / ₁₆ 14.3	7 ¹ / ₂ 13.5
	J	3 ¹ / ₄ 82.6	3 ¹ / ₄ 82.6	3 ¹ / ₄ 82.6	3 ¹ / ₄ 82.6	3 ¹ / ₄ 82.6	5 127	5 127	5 127	5 127	6 ¹ / ₂ 165

Note: – **Body:** Ductile iron **Disc:** Ductile iron **Stems:** Stainless steel **Seat:** Nitrile
* 2 inch diameter with ½ inch keyway

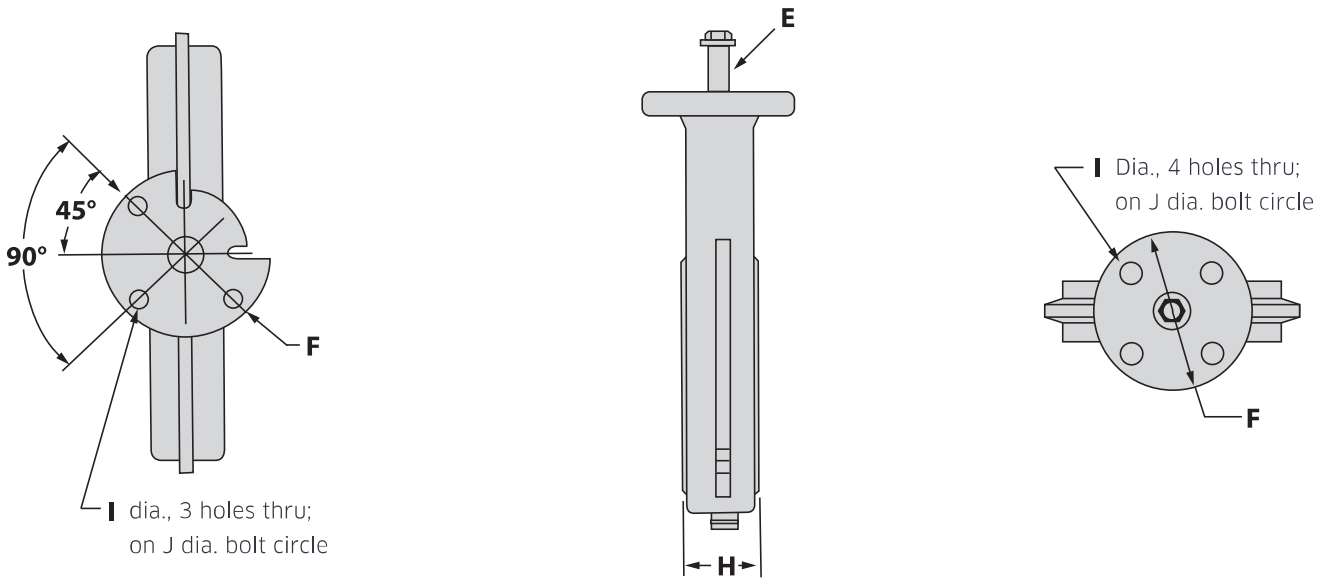


Weco® butterfly valve specifications

Model 12N (For use with lightweight industrial flanges.)

Sizes	2"	3"	4"	5"	6"	
P/N	3229885	3230052	3229886	3229887	3229888	
P/N - LT						
Dimensions, in., mm	A	4 ³ / ₂ 126	5 ⁷ / ₂ 150	7 ⁷ / ₂ 185	7 ⁷ / ₂ 185	7 ⁷ / ₂ 198
	B	3 76.2	3 ⁵ / ₈ 92.1	4 ¹ / ₄ 108	4 ³ / ₈ 122	5 ¹ / ₈ 135
	C	4 ¹ / ₈ 105	5 ¹ / ₈ 137	6 ¹ / ₈ 175	7 ¹ / ₄ 197	8 ¹ / ₄ 222
	D	2 ¹ / ₈ 52.4	3 ¹ / ₈ 77.8	4 ¹ / ₈ 103	5 ¹ / ₈ 129	6 ¹ / ₈ 154
	E	⁵ / ₈ Sq. 15.9	⁵ / ₈ Sq. 15.9	⁵ / ₈ Sq. 15.9	⁵ / ₈ Sq. 15.9	⁵ / ₈ Sq. 15.9
	F	4 101.6	4 101.6	4 101.6	4 101.6	4 101.6
	G	1 ¹ / ₂ 26.2	1 ¹ / ₂ 26.2	1 ¹ / ₂ 32.5	1 ¹ / ₂ 32.5	1 ¹ / ₂ 32.5
	H	1 ¹ / ₈ 41.3	1 ³ / ₄ 44.5	2 50.8	2 ¹ / ₈ 54	2 ¹ / ₈ 54
	I	⁷ / ₁₆ 11.1	⁷ / ₁₆ 11.1	⁷ / ₁₆ 11.1	⁷ / ₁₆ 11.1	⁷ / ₁₆ 11.1
	J	3 ³ / ₄ 82.6	3 ³ / ₄ 82.6	3 ³ / ₄ 82.6	3 ³ / ₄ 82.6	3 ³ / ₄ 82.6
	K	3 ³ / ₄ 82.6	4 ¹ / ₈ 111	6 ¹ / ₈ 162	6 ⁷ / ₂ 175	8 ¹ / ₂ 216
	L	4 102	6 152	6 152	6 152	8 203
	M	⁵ / ₁₆ 7.9	⁵ / ₁₆ 7.9	³ / ₈ 9.5	³ / ₈ 9.5	³ / ₈ 9.5

Note: - **Body:** Ductile iron **Disc:** Ductile iron **Stems:** 416 Stainless steel **Seat:** Nitrile



Weco® butterfly valve specifications

Model 22

Sizes	2"	2 1/2"	3"	4"	
P/N	3225730	3225731	3225732	3225733	
P/N - LT					
Dimensions, in., mm	A	7 ⁷ / ₃₂ 185	7 ²⁵ / ₃₂ 198	8 ¹ / ₁₆ 205	9 ⁷ / ₃₂ 233
	B	3 76.2	3 ¹ / ₃₂ 84.9	3 ³ / ₁₆ 92.1	4 ¹ / ₄ 108
	C	4 ¹ / ₁₆ 105	4 ⁷ / ₁₆ 124	5 ³ / ₁₆ 131	6 ¹ / ₁₆ 175
	D	2 ¹ / ₁₆ 52.4	2 ¹ / ₂ 63.5	3 ¹ / ₁₆ 77.8	4 ¹ / ₁₆ 103
	E	5/8 Sq. 15.9	5/8 Sq. 15.9	5/8 Sq. 15.9	5/8 Sq. 15.9
	F	4 101.6	4 101.6	4 101.6	4 101.6
	G	1 ¹ / ₃₂ 26.2	1 ¹ / ₃₂ 26.2	1 ¹ / ₃₂ 26.2	1 ¹ / ₃₂ 23.5
	H	1 ¹ / ₈ 41.3	1 ¹ / ₄ 44.5	1 ¹ / ₄ 44.5	2 50.8
	I	7/16 11.1	7/16 11.1	7/16 11.1	7/16 11.1
	J	3 ¹ / ₄ 82.6	3 ¹ / ₄ 82.6	3 ¹ / ₄ 82.6	3 ¹ / ₄ 82.6

Note: – **Body:** Ductile iron **Disc:** Ductile iron **Stems:** 416 stainless steel **Seat:** Nitrile

Model 22

5"	6"	8"	10"	12"
3225734	3225735	3225736	3225737	3225738
9 ² / ₃₂ 245	10 ⁵ / ₃₂ 258	11 ¹ / ₃₂ 294.5	12 ²⁷ / ₃₂ 326	14 ¹ / ₃₂ 364
4 ¹³ / ₁₆ 122	5 ⁵ / ₁₆ 135	7 178	8 ¹ / ₄ 210	9 ³ / ₄ 248
7 ³ / ₄ 197	8 ³ / ₄ 222	11 279	13 ³ / ₈ 340	16 ¹ / ₁₆ 408
5 ¹ / ₁₆ 129	6 ¹ / ₁₆ 154	8 ¹ / ₁₆ 205	10 254	12 305
5/8 Sq. 15.9	5/8 Sq. 15.9	7/8 Sq. 22.2	7/8 Sq. 22.2	1 ¹ / ₈ Sq. 28.6
4 101.6	4 101.6	6 152.4	6 152.4	6 152.4
1 ¹ / ₃₂ 32.5	1 ¹ / ₃₂ 32.5	1 ¹ / ₃₂ 32.5	1 ¹ / ₃₂ 32.5	1 ¹ / ₃₂ 32.5
2 ¹ / ₄ 54	2 ¹ / ₄ 54	2 ¹ / ₂ 63.5	2 ¹ / ₂ 63.5	3 76.2
7/16 11.1	7/16 11.1	9/16 14.3	9/16 14.3	9/16 14.3
3 ¹ / ₄ 82.6	3 ¹ / ₄ 82.6	5 127	5 127	5 127

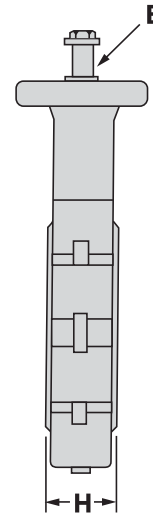
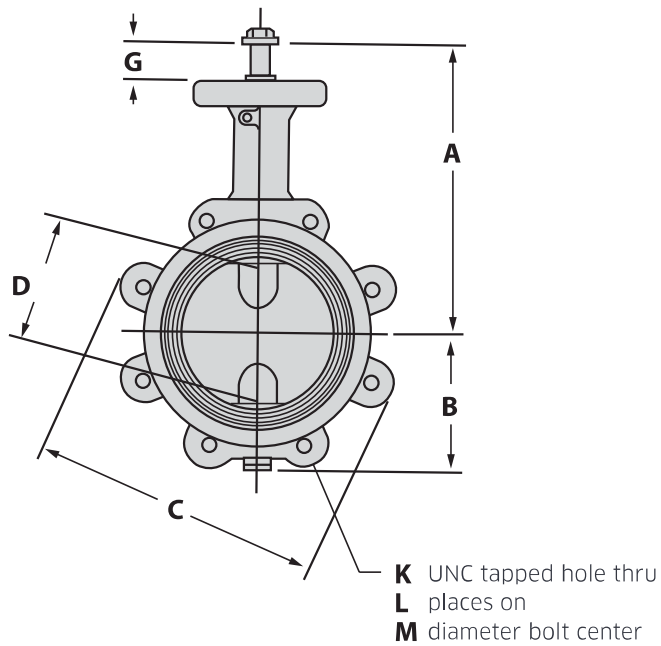
Weco® butterfly valve specifications

Model 22L

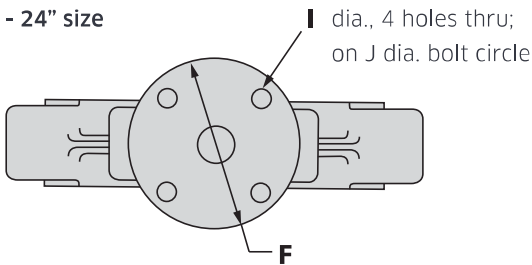
Sizes	2	2½	3	4	5	6	8	
P/N	3225748	3225749	3225750	3222751	3225752	3225753	3225754	
P/N - LT								
Dimensions, in., mm	A	7½ 185	7½ 198	8½ 205	9½ 233	9½ 245	10½ 258	11½ 295
	B	3 76.2	3½ 84.9	3½ 92.1	4¼ 108	4½ 122	5½ 135	7 178
	C	6 152	7 178	7½ 191	9 229	10 254	11 279	13½ 343
	D	2½ 52.4	2½ 63.5	3½ 77.8	4½ 103	5½ 129	6½ 154	8½ 205
	E	¾ Sq. 15.9	¾ Sq. 15.9	¾ Sq. 15.9	¾ Sq. 15.9	¾ Sq. 15.9	¾ Sq. 15.9	¾ Sq. 22.2
	F	4 101.6	4 101.6	4 101.6	4 101.6	4 101.6	4 101.6	6 152.4
	G	1½ 26.2	1½ 26.2	1½ 26.2	1½ 32.5	1½ 32.5	1½ 32.5	1½ 32.5
	H	1½ 41.3	1¾ 44.5	1¾ 44.5	2 50.8	2½ 54	2½ 54	2½ 63.5
	I	¾ 11.1	¾ 11.1	¾ 11.1	¾ 11.1	¾ 11.1	¾ 11.1	¾ 14.3
	J	¾ 82.6	¾ 82.6	¾ 82.6	¾ 82.6	¾ 82.6	¾ 82.6	5 127
	K	¾ 11	¾ 11	¾ 11	¾ 11	¾ 10	¾ 10	¾ 10
	L	4 102	4 102	4 102	8 204	8 204	8 204	8 204
	M	4¾ 121	5½ 140	6 152	7½ 191	8½ 216	9½ 241	11¾ 299

10	12	14	16	18	20	24
3225755	3225756	3255867	3255870	3255871	3255872	3255873
12½ 326	14½ 364	14½ 380	17½ 443	18½ 468	19½ 494	23½ 603
8½ 210	9½ 248	10½ 264	11½ 303	12½ 329	13½ 354	17½ 435
16 406	19 483	20½ 527	23½ 591	25 635	27½ 692	32 813
10 254	12 305	13½ 337	15½ 388	17½ 439	19½ 489	23 584
¾ Sq. 22.2	1½ Sq. 28.6	1½ Sq. 28.6	2* 50.8	2* 50.8	2* 50.8	2.5** 63.5
6 152.4	6 152.4	6 152.4	8 203.2	8 203.2	8 203.2	8 203.2
1½ 32.5	1½ 32.5	1½ 32.5	3½ 81	3½ 81	3½ 81	4½ 111
2½ 63.5	3 76.2	3 76.2	4 101.6	4½ 114.3	5 127	6½ 154
¾ 14.3	¾ 14.3	¾ 14.3	¾ 13.5	¾ 13.5	¾ 13.5	¾ 16.7
5 127	5 127	5 127	6½ 165.1	6½ 165.1	6½ 165.1	6½ 165.1
¾ 9	¾ 9	1 8	1 8	1½ 7	1½ 7	1½ 7
12 305	12 305	12 305	16 406	16 406	20 508	20 508
14½ 362	17 432	18½ 476	21½ 540	22½ 578	25 635	29½ 750

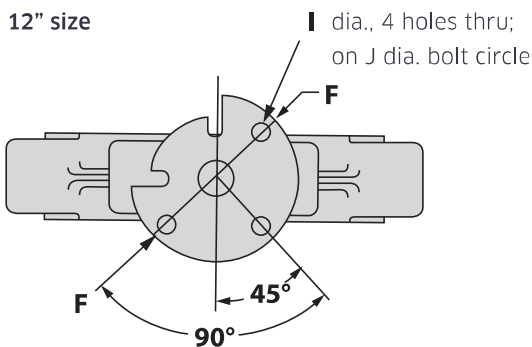
Weco® butterfly valve specifications



14" - 24" size



2" - 12" size



- Note:**
- **Body:** Ductile iron
 - **Disc:** Ductile iron
 - **Stems:** 416 stainless steel
 - **Seat:** Nitrile
 - * 2 inch diameter with 1/2 inch keyway
 - ** 2.5 inch diameter with 5/8 inch keyway